

BE INSPIRED





BE INSPIRED

Be inspired to create beautiful interiors with the latest collection of door systems from ECLISSE. Award-winning design together with the uncompromising attention to detail and quality that is synonymous with the ECLISSE name, has resulted in a range of distinctive and elegant products combining different materials and finishes.

Ignite your imagination to create an interior that is undeniably stylish and unique.



reddot winner 2020



ADI
DESIGN
INDEX
Selezione Compasso d'Oro

PATENTED DESIGN

The frame is no longer just a functional element, but has become a decorative element itself. One side flush and the other splayed at a 40 degree angle in a variety of beautiful finishes to create a sense of depth and a new look.

ECLISSE 40 is the brainchild of Francesco Valentini and Lorenzo Ponzelli.



Play with space, light and flow with our new 40° concealed frame hinged range. Choose from a wide range of finishes for the 40° surround.

Marry this with our new elegant slim-frame aluminium and glass doors in a variety of tints and transparencies to strike the perfect balance between aesthetics and functionality.

Page Left

ECLISSE SYNTESIS FLUSH POCKET DOOR SYSTEM with ECLISSE MIMESI surround
DOUBLE PANE GLASS:
 Satin Bronze
ALUMINIUM FRAME:
 Champagne
FLUSH PULL HANDLE:
 Champagne
MIMESI surround:
 Champagne

Page Right

ECLISSE SYNTESIS FLUSH HINGED DOOR
DOUBLE PANE GLASS:
 Bronze
ALUMINIUM FRAME:
 Champagne
HANDLE: 40+one
 Champagne

ECLISSE 40 FLUSH HINGED DOOR
ECLISSE 40 surround:
 Champagne
DOUBLE PANE GLASS:
 Bronze Reflex
ALUMINIUM FRAME:
 Champagne
HANDLE: 40+one
 Champagne



Page Left

ECLISSE SYNTESIS FLUSH DOUBLE POCKET DOOR SYSTEM

SINGLE PANE GLASS: Bronze
ALUMINIUM FRAME: Tobacco
HANDLE: Tobacco

Page Right

ECLISSE SYNTESIS FLUSH HINGED DOOR

SINGLE PANE GLASS: Bronze Reflex
ALUMINIUM FRAME: Tobacco
HANDLE: 40+one Tobacco

Detail

ECLISSE SYNTESIS FLUSH HINGED DOOR

DOUBLE PANE GLASS: Smoked
ALUMINIUM FRAME: Tobacco
HANDLE: 40+one Tobacco





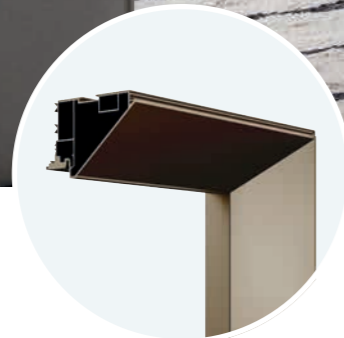
ECLISSE 40

**REDEFINING THE CONCEALED FRAME
HINGED DOOR**

The award winning ECLISSE 40 takes the concept and looks at it from a new angle. This unique and innovative design challenges the status quo. Beautiful and yet different on either side.



CHAMPAGNE



BRONZE



TOBACCO



WHITE RAL 9010



PRIMER-COATED





The robust aluminium frame anodised to 10 microns results in a finish able to resist wear and tear of everyday life.

A primed paint ready version is available alongside a range of stunning finishes including Champagne, Bronze, Tobacco and White RAL 9010.

The ECLISSE 40 frame combines equally well with a timber door panel.

**BEAUTY AND VERSATILITY**

Like a picture frame the ECLISSE 40 surround encloses the door and invites us to cross its threshold.

ECLISSE 40 FLUSH HINGED DOOR

ECLISSE 40 surround: White
DOUBLE PANE GLASS: Satin Crystal Clear
ALUMINIUM FRAME: White RAL 9010
HANDLE: 40+one White

ECLISSE DELTA (baseboard):
White RAL 9010



ECLISSE 40 FLUSH HINGED DOOR
ECLISSE 40 surround: White
ALUMINIUM FRAME: Champagne
HANDLE: 40+one Champagne

ECLISSE SYNTESIS FLUSH SKIRTING BOARD ADAPTER





ECLISSE SYNTESIS FLUSH POCKET DOOR SYSTEM with ECLISSE MIMESI surround
 DOUBLE PANE GLASS: Satin Bronze
 ALUMINIUM FRAME: Bronze
 HANDLE: Bronze
 MIMESI surround: Bronze

ECLISSE 40 FLUSH HINGED DOOR
 ECLISSE 40 surround: Bronze
 DOUBLE PANE GLASS: Bronze
 ALUMINIUM FRAME: Bronze
 HANDLE: 40+one Bronze



ECLISSE MIMESI

A BEAUTIFUL ADDITION TO THE SYNTESIS FLUSH POCKET DOOR SYSTEM
 Made of aluminium, the new ECLISSE MIMESI surrounds have been developed to allow flush pocket door models of the ECLISSE Syntesis Flush Collection to sit along side an ECLISSE 40 frame to create a harmonious, consistent interior.

The ECLISSE MIMESI surround fits onto the edge of the Syntesis Flush Pocket Door System in a finish to perfectly match the finish of the frames of the glass door panels.

ECLISSE SYNTESIS FLUSH POCKET DOOR SYSTEM with ECLISSE MIMESI surround
 DOUBLE PANE GLASS: Reflex Smoked
 ALUMINIUM FRAME: Champagne
 HANDLE: Champagne
 MIMESI surround: Champagne



Left detail

ECLISSE SYNTESIS FLUSH POCKET DOOR SYSTEM with ECLISSE MIMESI surround
 DOUBLE PANE GLASS: Reflex Bronze
 ALUMINIUM FRAME: Champagne
 HANDLE: Champagne
 MIMESI surround: Champagne



Right detail

ECLISSE SYNTESIS FLUSH POCKET DOOR SYSTEM with ECLISSE MIMESI surround
 SINGLE PANE GLASS: Smoked
 ALUMINIUM FRAME: Tobacco
 MIMESI surround: Tobacco
 ECLISSE DELTA (baseboard): Tobacco

ALUMINIUM AND GLASS DOORS

Create a look that is as unique as it is beautiful by combining frame and surround options and glass finishes.



CLASSIC

Simple, understated and yet undoubtedly sophisticated. The combination of champagne finish with a bronze transparent, satin or reflex glass bring a warmth to the interior.



MINIMAL

Clean white lines combined with satin or crystal clear glass maximises natural light.



ELEGANT

The richness of a bronze frame and handle bronze transparent, satin or reflex glass adds an undeniable elegance.

MODERN

The selection of a tobacco frame and handle with a transparent, satin or reflex smoked glass is a sophisticated and sleek option.





Page Left

**ECLISSE SYNTESIS FLUSH
POCKET DOOR SYSTEM**
DOUBLE PANE GLASS:
Mirrored Both Sides
ALUMINIUM FRAME: Tobacco
HANDLE: Tobacco

Page Right

**ECLISSE SYNTESIS FLUSH
HINGED DOOR**
DOUBLE PANE GLASS:
Reflex Smoked
ALUMINIUM FRAME: Tobacco
HANDLE: 40+one Tobacco



CHAMPAGNE

BRONZE

TOBACCO

WHITE RAL 9010

ALUMINIUM



BRONZE

SATIN BRONZE

REFLEX BRONZE

SATIN CRYSTAL CLEAR

TRANSPARENT CRYSTAL CLEAR*



SMOKED



SANDBLASTED SMOKED



REFLEX SMOKED



DOUBLE-SIDE MIRRORED**

* Only for single pane glass
** Only for double pane glass



ECLISSE SYNTESIS
FLUSH POCKET
DOOR SYSTEM
with frameless glass
door in a smoked
finish.

FRAMELESS GLASS DOORS

COMBINING SYNTESIS FLUSH POCKET DOOR SYSTEMS WITH FRAMELESS GLASS DOORS

Glass is incredibly versatile ; it can be fashioned to create a design statement. These frameless glass doors divide and create different spaces, whilst at the same time maximising natural light in an interior.

Available with a range of handle options this simple understated KOS handle is the perfect option for a walk in wardrobe.



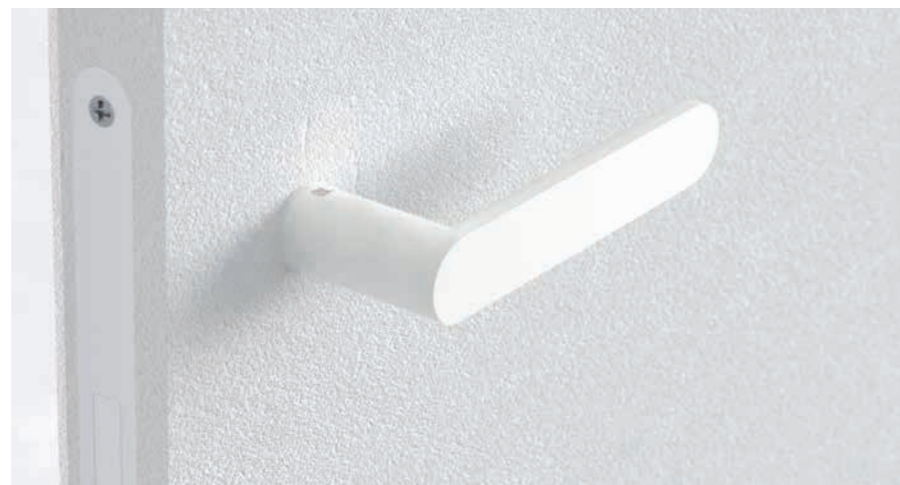


**ECLISSE SYNTESIS FLUSH
POCKET DOOR SYSTEM**
GLASS DOOR PANEL:
Satin Crystal Clear
HANDLE: Glass Oblong

DETAILS



PURE - Nuda Collection by Verum Italy
Clean design and rounded shapes.
A handle without rose, for an absolutely minimalist effect.



ECLISSE DELTA

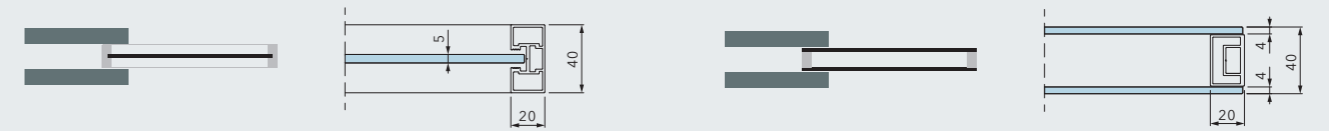
The concept of the skirting board is reimagined with ECLISSE Delta. Its lines transform based on the viewer's perspective, offering a unique visual experience. From the front, it creates the illusion of a seamless wall, framing it with simplicity. However, when viewed from the side, the distinctive design becomes apparent.



ALUMINIUM AND GLASS DOORS

TECHNICAL SPECIFICATIONS

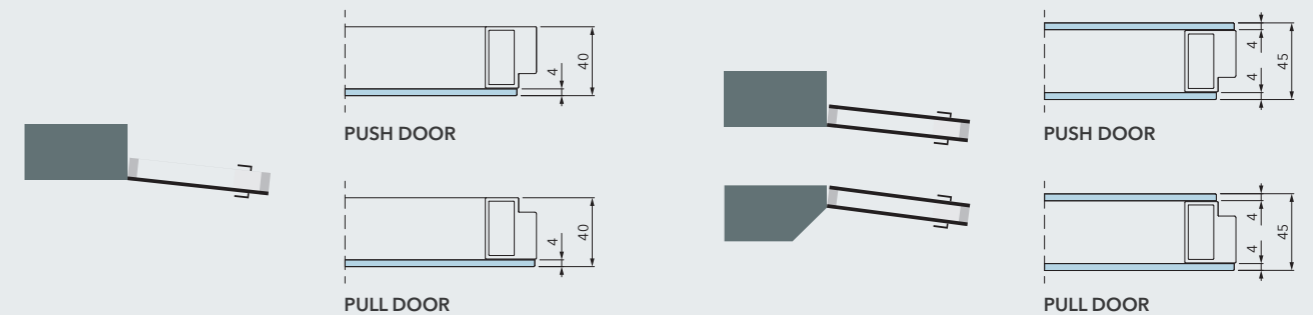
ECLISSE SYNTESIS FLUSH COLLECTION - Sliding pocket models



SINGLE PANE
The glass pane is in the centre, enclosed by the aluminium profile.

DOUBLE PANE
The aluminium profile is enclosed between the two glass panes.

ECLISSE SYNTESIS FLUSH COLLECTION and ECLISSE 40 - Hinged models



SINGLE PANE
The glass pane is on the flush-to-wall side of the aluminium profile.

DOUBLE PANE
The aluminium profile is enclosed between the two glass panes.

HARDWARE

FOR HINGED MODELS

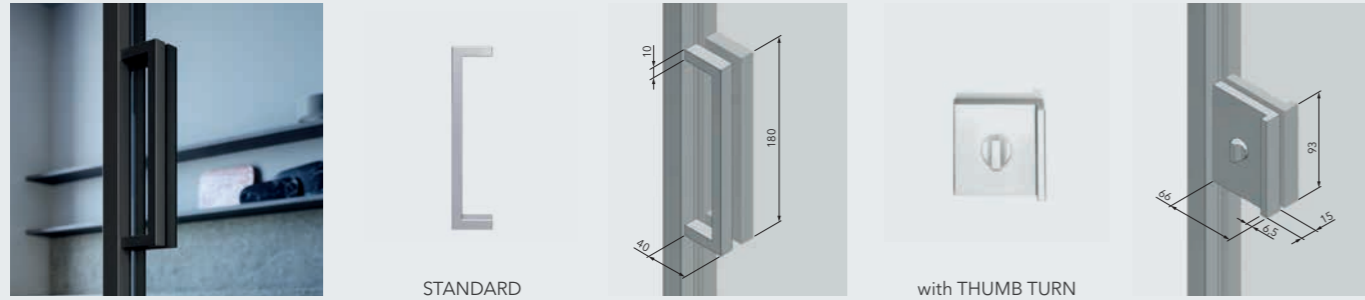
Capacity of 3 hinges: 60 kg. Capacity of 4 hinges: 80 kg.



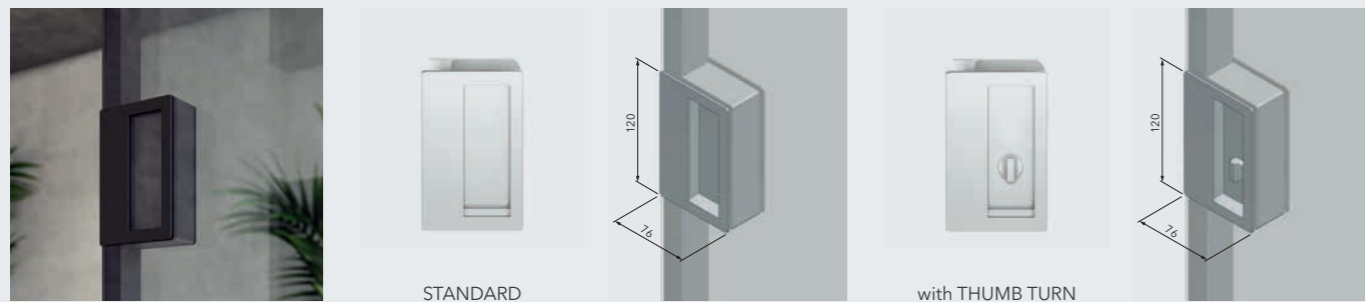
HANDLES

FOR ALUMINIUM AND GLASS DOORS

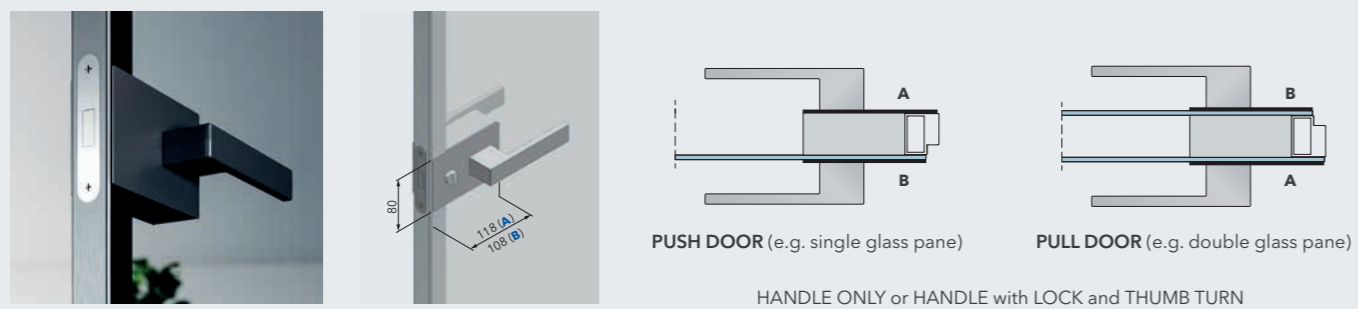
HANDLES AND LOCKS FOR BORA SLIDING ALUMINIUM GLASS DOOR - SINGLE PANE (Available in: C - B - T - W - A)



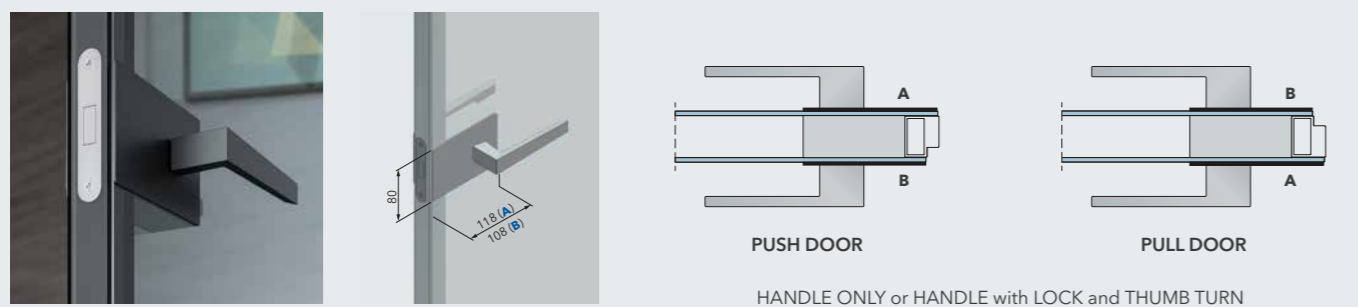
HANDLES AND LOCKS FOR PAIO SLIDING ALUMINIUM GLASS DOOR - DOUBLE PANE (Available in: C - B - T - W - A)



HANDLES AND LOCKS FOR BORA OR PAIO HINGED ALUMINIUM GLASS DOOR - ZANTE (Available in: C - B - T - W - A)



HANDLES AND LOCKS FOR PAIO HINGED ALUMINIUM GLASS DOOR - 40+one (Available in: C - B - T - W - A)



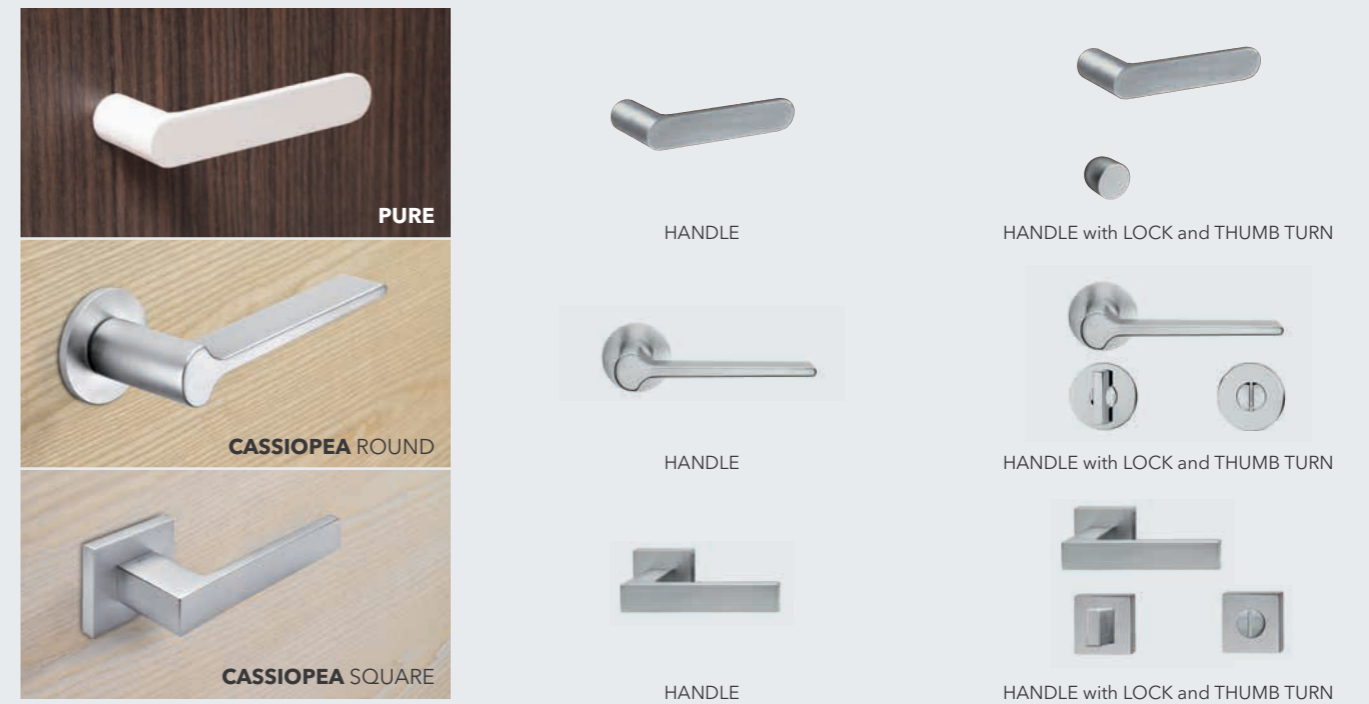
HANDLES

FOR TIMBER DOORS

HANDLES AND LOCKS FOR ECLISSE 40 HINGED TIMBER DOOR - 40+one (Available in: C - B - T - W - A)



HANDLES AND LOCKS FOR SYNTESIS FLUSH HINGED (Pure available in: W - S; Cassiopea available in: S)



HANDLES AND LOCKS FOR SYNTESIS FLUSH POCKET DOOR - CASSIOPEA and AURA collections



ACCESSORIES

FOR POCKET MODELS



ECLISSE BIAS - Built-In Anti-Slam **SOFT CLOSE WITH ANTI-SLAM TECHNOLOGY** **FOR SINGLE AND DOUBLE DOORS**

This is a true anti-slam device that protects the door from being slammed on fingers by slowing it down towards the close position. Even when the door is slammed the ECLISSE BIAS will slow the travel of the door as it closes.

The anti-slam functionality is effective to a door panel weight of up to 100 kg, the soft close is effective up to 40 kg

- Invisible from the outside
- Easy to fit
- Can be retrofitted

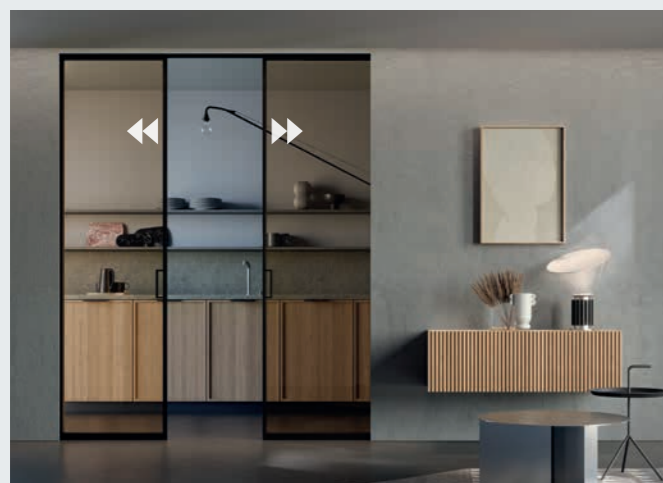


ECLISSE BIAS DS - Built-In Anti-Slam Double Side **BI-DIRECTIONAL SOFT CLOSE WITH ANTI-SLAM TECHNOLOGY** **FOR SINGLE AND DOUBLE DOORS**

All the benefits of the ECLISSE BIAS but bi-directional. The ECLISSE BIAS DS will soft-close the door as the door closes and also as it opens.

The anti-slam functionality is effective to a door panel weight of up to 100 kg, the soft close is effective up to 40 kg

- Invisible from the outside
- Easy to fit
- Can be retrofitted
- Compatible with certain door sizes only
(please check compatibility chart on website)

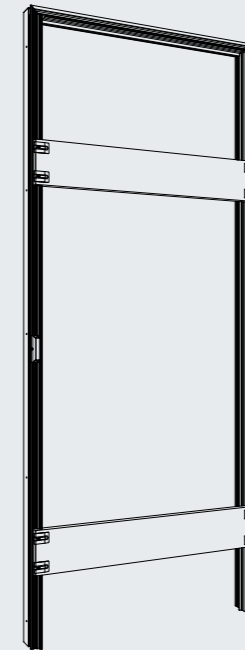


COORDINATION SYSTEM FOR SYNTESIS FLUSH **DOUBLE POCKET**

With this device the opening/closing of the both doors is coordinated i.e. open or close one door, the other opens or closes at the same time.

The coordination kit will slow down and close the double doors if they are no more than 20 kg each. Heavier doors will just be slowed down.

Suitable for passage ways from 1200mm to 2000mm



OUR TECH

An in-depth study with information and technical drawings on the flush-to-wall hinged models of ECLISSE Syntesis Flush Collection and ECLISSE 40 Collection. Types and opening directions, perspective drawings, installation methods: everything you need to know for an optimal choice for every style project.

FLUSH HINGED MODELS

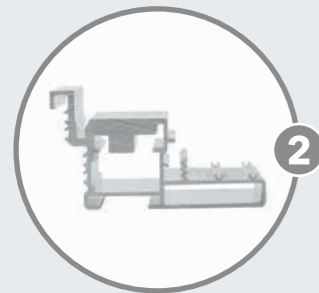
TECHNICAL SPECIFICATIONS

ECLISSE SYNTESIS FLUSH HINGED SINGLE - The aluminium frame



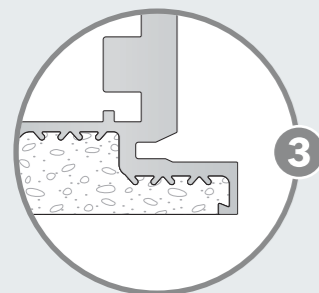
1. LONG LASTING AND PAINTABLE

The aluminium frame is firstly subjected to an anodization treatment against oxidation and then primer-coated to facilitate paint adhesion.



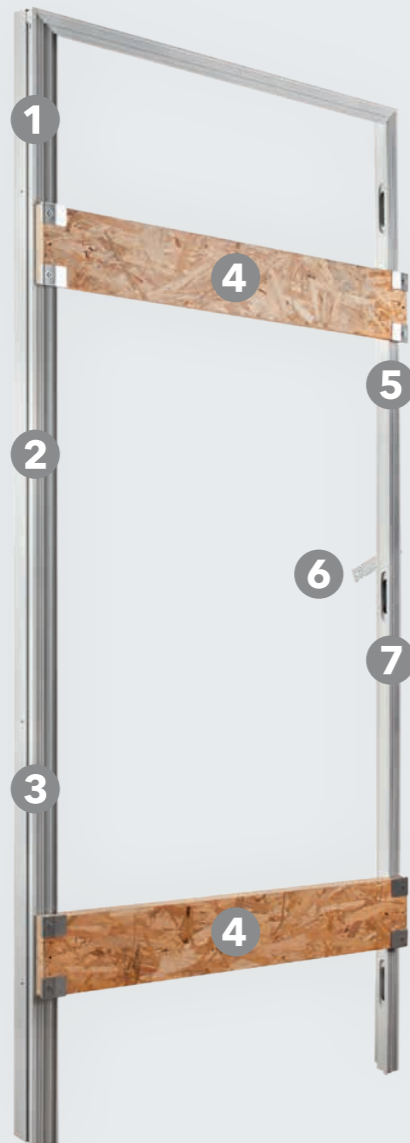
2. VERY STURDY FRAME

The frame is made of aluminium and weighs approximately 2 kg per linear metre.



3. NO CRACKS!

The frame profile is specifically designed to avoid the formation of cracks.



4

4. OSB 3 SPACER PANELS

25mm thick panels fixed with brackets ensure the stability and squareness of the frame.



5. BADGE

The frame is recognisable by the ECLISSE badge.



6. 6 ADJUSTABLE CLAMPS

The clamps are adjustable in height and prepared to be easily fixed to brick walls.



7. 100 HEIGHT MARK

To help the installer find the correct finished floor height.

ECLISSE SYNTESIS FLUSH HINGED SINGLE - The door



1. DOOR PANEL

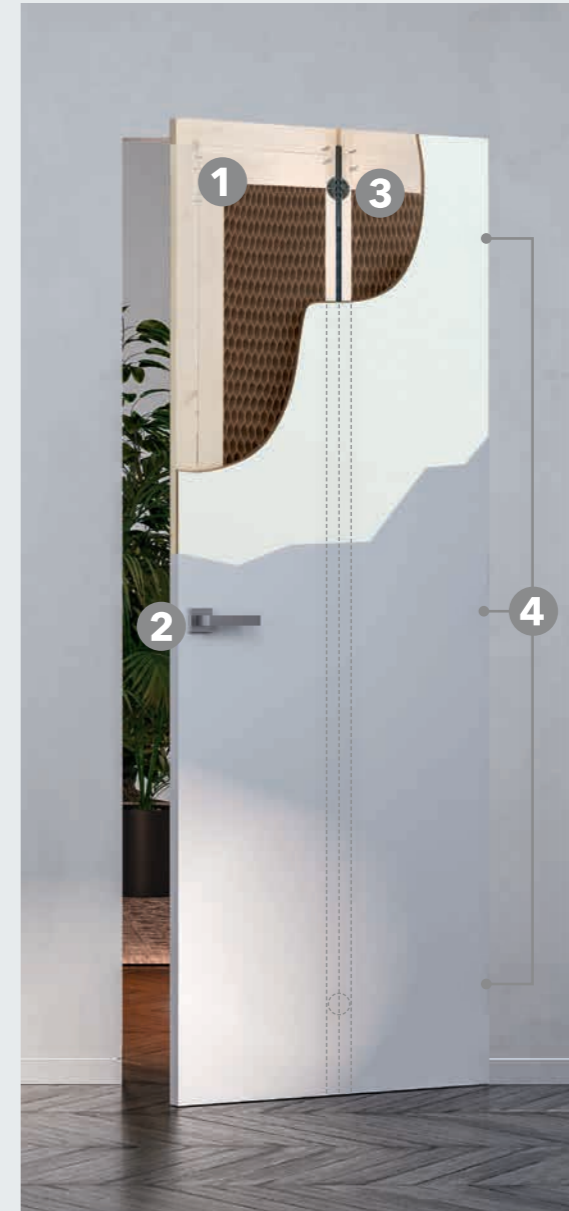
Hollow core with double solid wood frame to increase rigidity while reducing weight. Available raw with primer-coating, ready to be painted as desired.



2. MAGNETIC LOCK

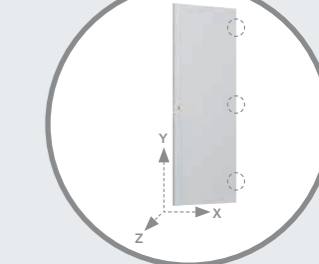
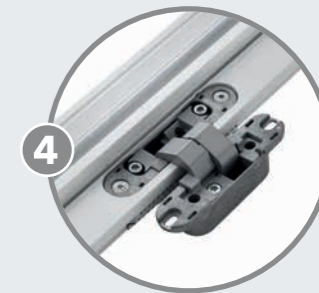
With modern design and minimal lines it stays flush to the plate and guarantees an extraordinary softness while closing. The **ECCENTRIC STRIKE**, installed flush with the rebate, is eccentric to allow minor installation imperfections to be remedied, guaranteeing perfect door closure.

NOTE: the door comes as standard without lock or with key lock.



3. INTERNAL TENSIONING ROD*

Special adjustable device, it helps keep the door panel in constant tension, improving the door flatness and guaranteeing coplanarity with the wall.



4. 3 ADJUSTABLE HINGES

Adjustable on 3 axes (height, width and depth) for a perfect calibration of the slightest perimeter spacing.

NOTE: for door weighing more than 50 kg (max. 65 kg) 4 hinges are needed.

THE BENEFITS

- One universal frame, for plasterboard and masonry walls
- Stop gaskets applicable on the frame instead of on the door: stable, easy to install, soft and aesthetically pleasing
- Supplied with a plastic protection to prevent it from getting dirty or scratched on site
- Supplied with a metal guard to protect the hinge seat from plaster or stucco (pull door version)

THE DOOR

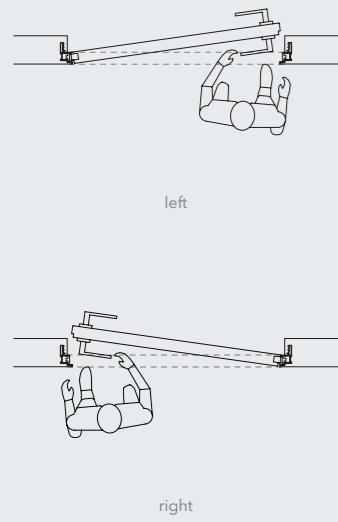
- It is recognisable by the ECLISSE badge
- It is 45mm thick and has a universal shape to be adapted to the opening direction (right or left)
- It is edge banded along the entire perimeter
- Standard starting from H = 2000mm

FLUSH HINGED MODELS

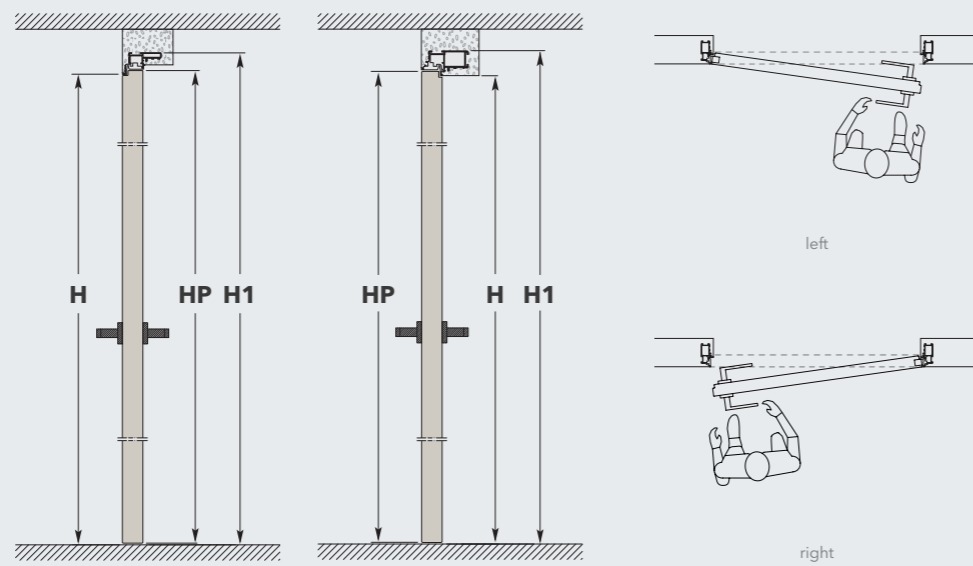
OPENINGS - VERSIONS - APPLICATIONS

ECLISSE SYNTESIS FLUSH HINGED SINGLE

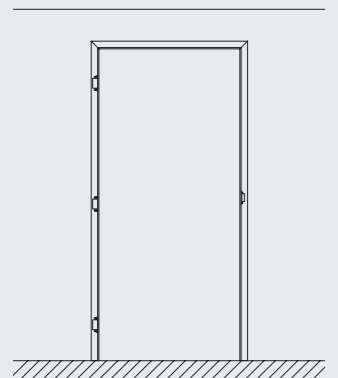
PUSH DOOR



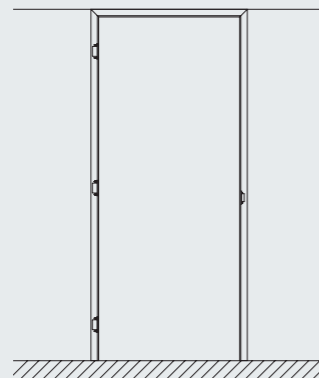
PULL DOOR



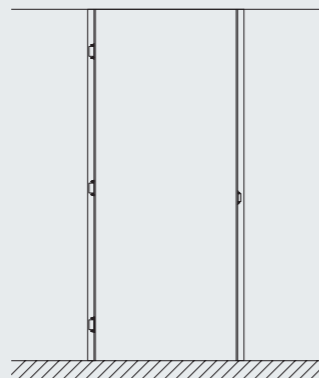
WITH HEADER



frame for single hinged door with header

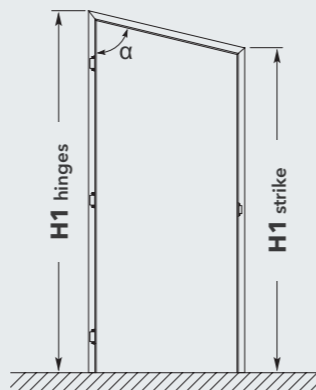


frame for single hinged door with header flush to ceiling



frame for single hinged door without header (the door is flush to ceiling)

INCLINED



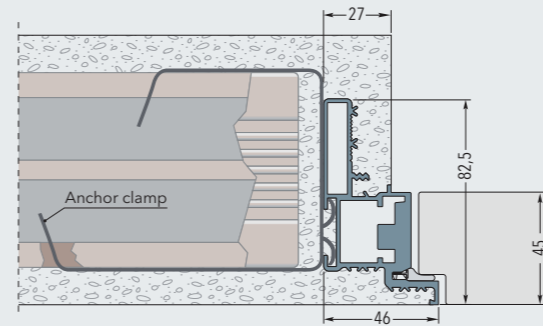
frame for single hinged door with or without header α from 60° to 89°

NOTES:

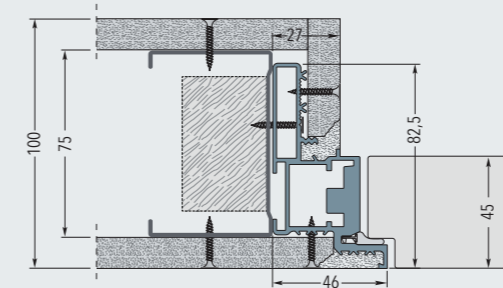
- Supplied as standard with 3 hinges. Max. door panel weight with 3 hinges: 50 kg Available upon request with 4 hinges. Max. door panel weight with 4 hinges: 65 kg
- The frame fits both stud and solid wall For solid wall 6 clamps are cemented in the special spaces created in the wall. For stud wall the frame is fixed with screws to the wood or metal structure through the existing holes.

PUSH DOOR

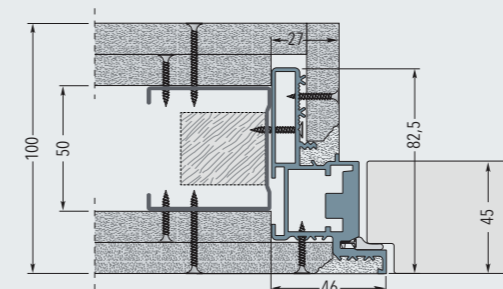
Frame on solid wall



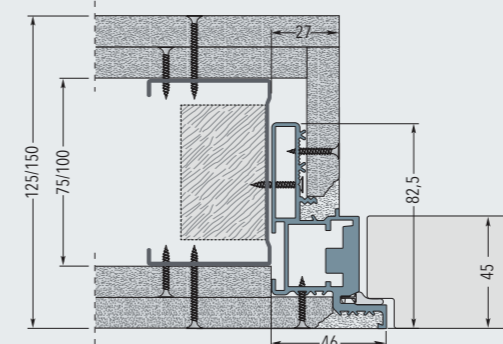
Frame on stud wall with 1 plasterboard layer - Finished wall thickness 100mm



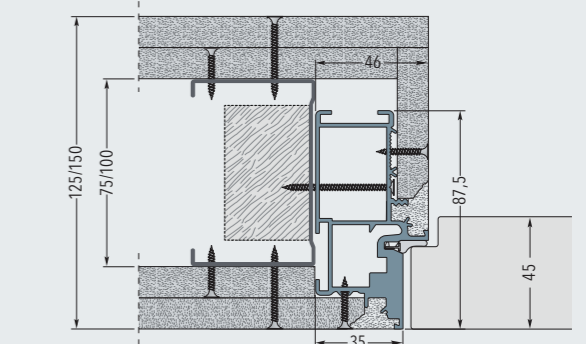
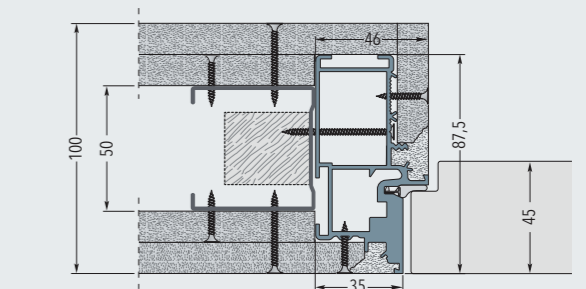
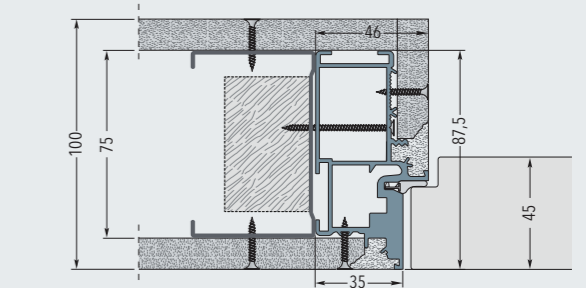
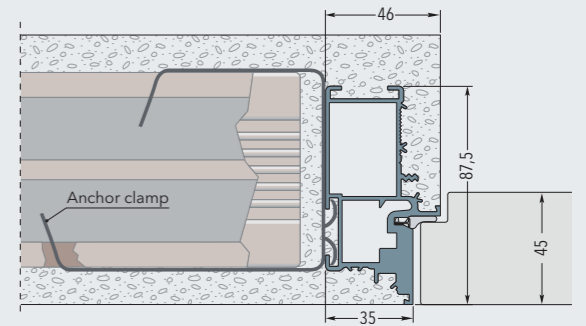
Frame on stud wall with 2 plasterboard layers - Finished wall thickness 100mm



Frame on stud wall with 2 plasterboard layers - Finished wall thickness 125/150mm



PULL DOOR

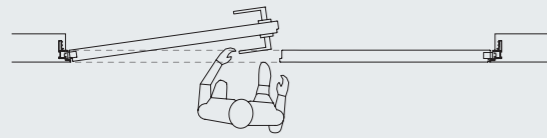


FLUSH HINGED MODELS

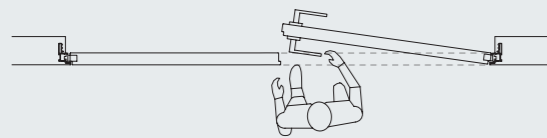
OPENINGS - VERSIONS - APPLICATIONS

ECLISSE SYNTESIS FLUSH HINGED DOUBLE

PUSH DOOR

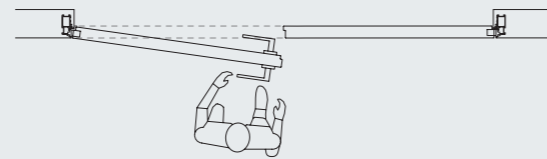


left push door - fixed right door

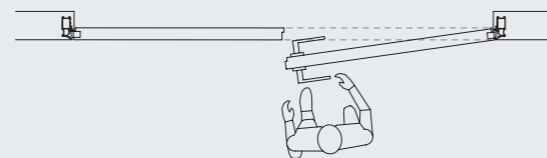


right push door - fixed left door

PULL DOOR

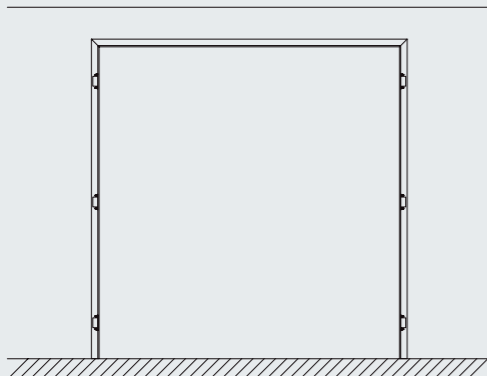


left pull door - fixed right door

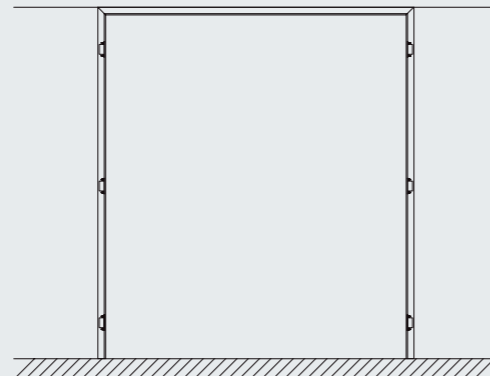


right pull door - fixed left door

FRAME WITH HEADER ONLY



frame for double hinged door with header



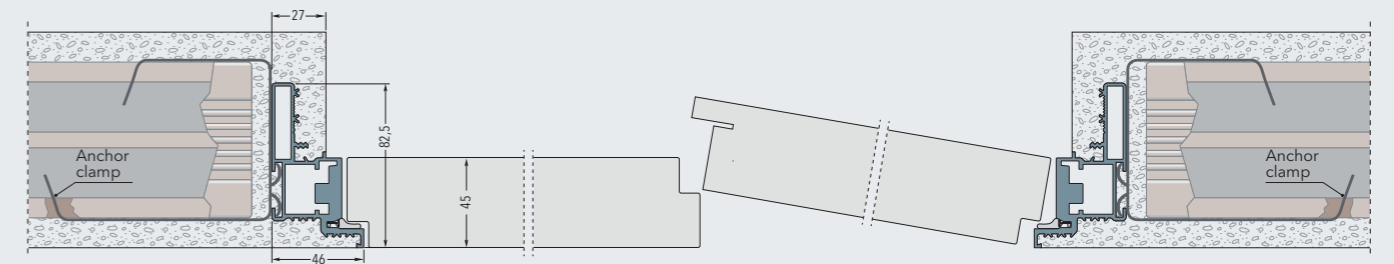
frame for double hinged door with header flush to ceiling

NOTES:

- Supplied as standard with 3 hinges. Max. door panel weight with 3 hinges: 50 kg
Available upon request with 4 hinges. Max. door panel weight with 4 hinges: 65 kg
- The frame fits both stud and solid wall
For solid wall 6 clamps are cemented in the special spaces created in the wall.
For stud wall the frame is fixed with screws to the wood or metal structure through the existing holes.

FIXED DOOR

Frame on solid wall

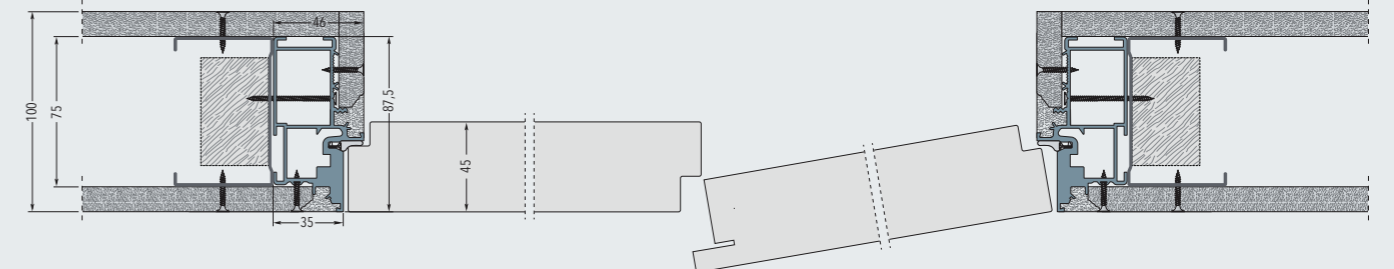


MAIN MOBILE DOOR

right push door - fixed left door

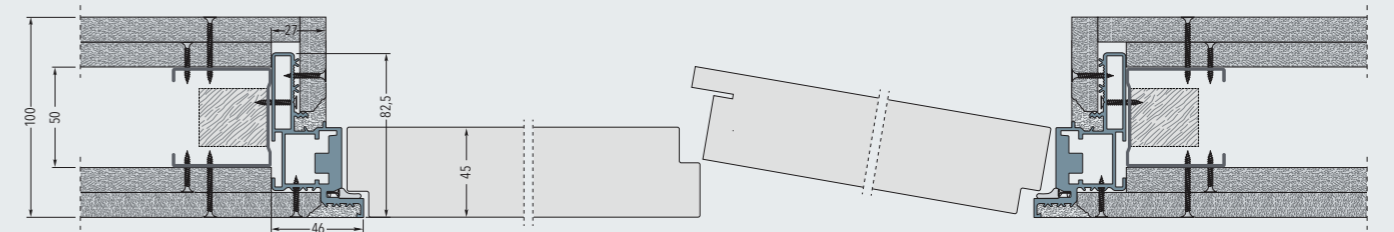
Frame on stud wall with 1 plasterboard layer - Finished wall thickness 100mm

right pull door - fixed left door



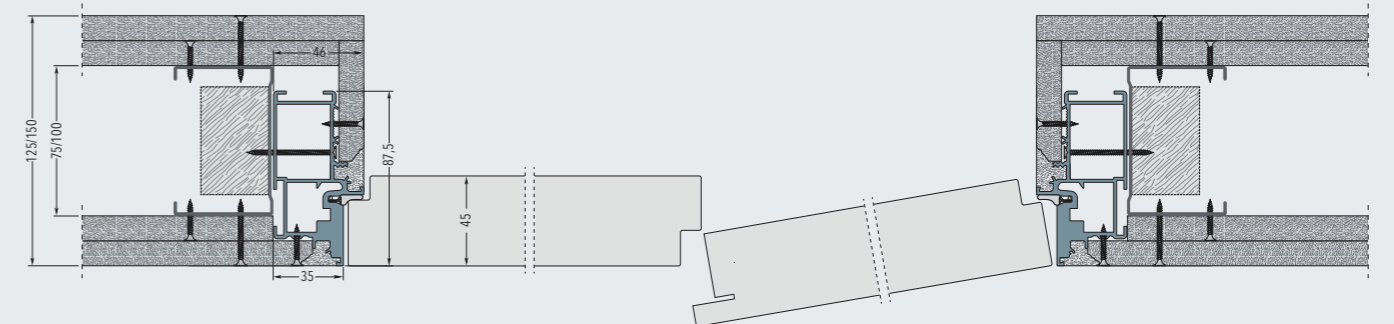
Frame on stud wall with 2 plasterboard layers - Finished wall thickness 100mm

right push door - fixed left door



Frame on stud wall with 2 plasterboard layers - Finished wall thickness 125/150mm

right pull door - fixed left door



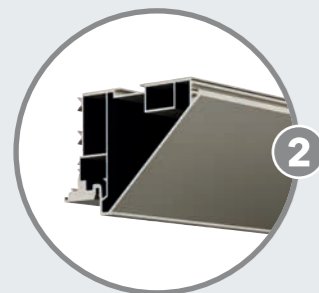
FLUSH HINGED MODELS WITH SPLAYED PROFILES

TECHNICAL SPECIFICATIONS

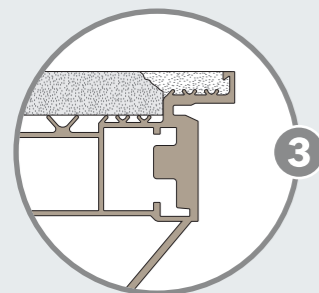
ECLISSE 40 - The aluminium frame



1. PERFECT JUNCTIONS
Horizontal and vertical profiles match perfectly to achieve a precise and clean angle.



2. VERY STURDY FRAME
The frame is made of aluminium and weighs approximately 3,5 kg per linear metre (for finished wall thk. 125mm).



3. NO CRACKS!
The frame profile is specifically designed to avoid the formation of cracks.



4. OSB 3 SPACER PANELS
25mm thick panels fixed with brackets ensure the stability and squareness of the frame.



5. COLOURED AND PAINTABLE
The aluminium frame is available in different colours or primer-coated, to be painted on site in any colour, like a wall.



6. A FRAMEWORK ON BOTH SIDES
The frame can also be left exposed on the flush side, to frame the door with an elegant, slender line.



7. 6 ADJUSTABLE CLAMPS
The clamps are adjustable in height and prepared to be easily fixed to brick walls.

THE BENEFITS

- One universal frame, for plasterboard and masonry walls
- Stop gaskets applicable on the frame instead of on the door: stable, easy to install, soft and aesthetically pleasing
- Supplied with a plastic protection to prevent it from getting dirty or scratched on site
- Supplied with a metal guard to protect the hinge seat from plaster or stucco (push door version)

ECLISSE 40 - The door



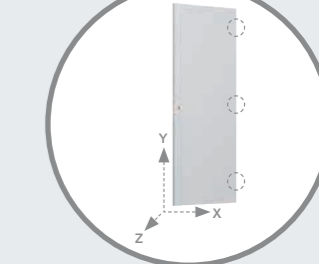
1. DOOR PANEL
Hollow core with double solid wood frame to increase rigidity while reducing weight. Available raw with primer-coating, ready to be painted as desired.



2. MAGNETIC LOCK
With modern design and minimal lines it stays flush to the plate and guarantees an extraordinary softness while closing. The **ECCENTRIC STRIKE**, installed flush with the rebate, is eccentric to allow minor installation imperfections to be remedied, guaranteeing perfect door closure.
NOTE: the door comes as standard without lock or with key lock.



3. INTERNAL TENSIONING ROD*
Special adjustable device, it helps keep the door panel in constant tension, improving the door flatness and guaranteeing coplanarity with the wall.



4. 3 ADJUSTABLE HINGES
Adjustable on 3 axes (height, width and depth) for a perfect calibration of the slightest perimeter spacing. **NOTE:** for door weighing more than 50 kg (max. 65 kg) 4 hinges are needed.

THE DOOR

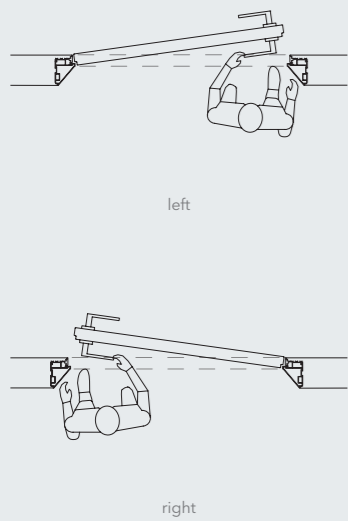
- It is recognisable by the ECLISSE badge
- It is 45mm thick and has a universal shape to be adapted to the opening direction (right or left)
- It is edge banded along the entire perimeter
- Standard starting from H = 2000mm

FLUSH HINGED MODELS WITH SPLAYED PROFILES

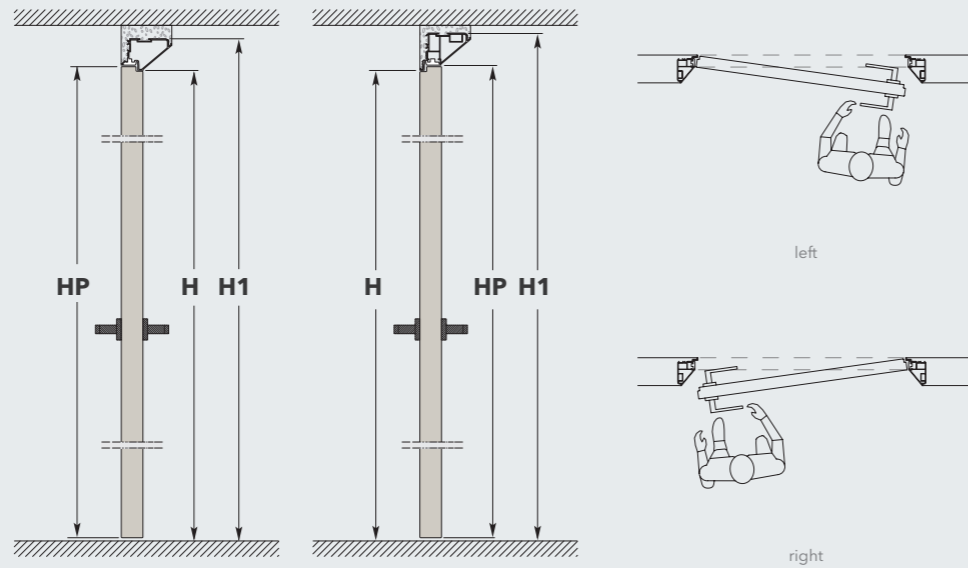
OPENINGS - VERSIONS - APPLICATIONS

ECLISSE 40

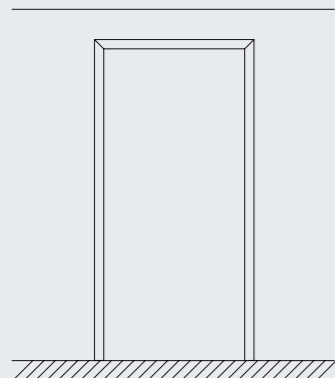
PUSH DOOR



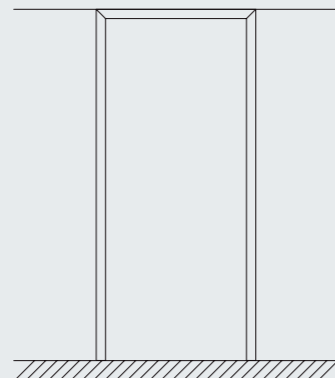
PULL DOOR



WITH HEADER

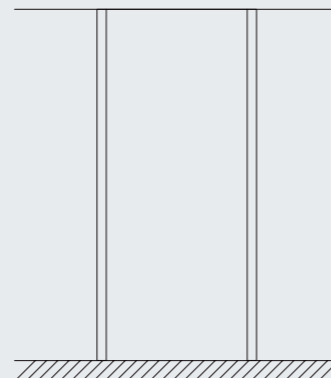


frame for single hinged door with header



frame for single hinged door with header flush to ceiling

WITHOUT HEADER



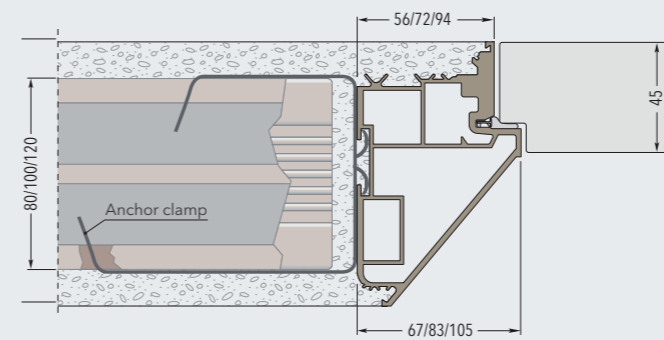
frame for single hinged door without header (the door is flush to ceiling)

NOTES:

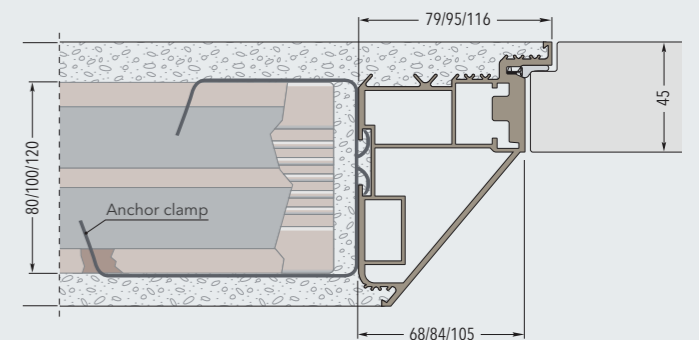
- Available finishes: primer-coated, Champagne, Bronze, Tobacco and White RAL 9010
- Supplied as standard with 3 hinges. Max. door panel weight with 3 hinges: 50 kg
Available upon request with 4 hinges. Max. door panel weight with 4 hinges: 65 kg
- The frame fits both stud and solid wall
For solid wall 6 clamps are cemented in the special spaces created in the wall.
For stud wall the frame is fixed with screws to the wood or metal structure through the existing holes.

PUSH DOOR

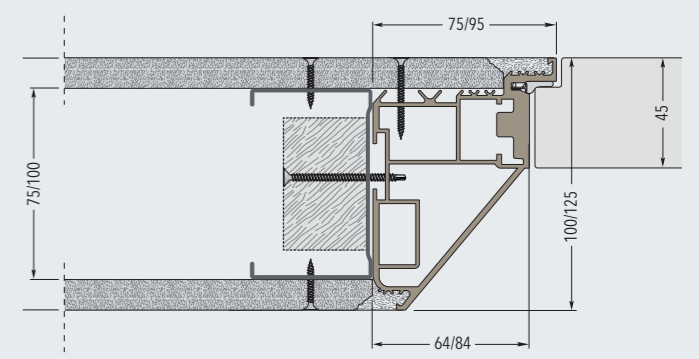
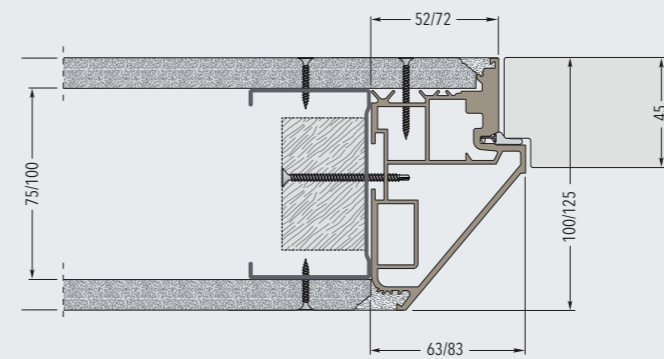
Frame on solid wall - Finished wall thickness 108/125/150mm



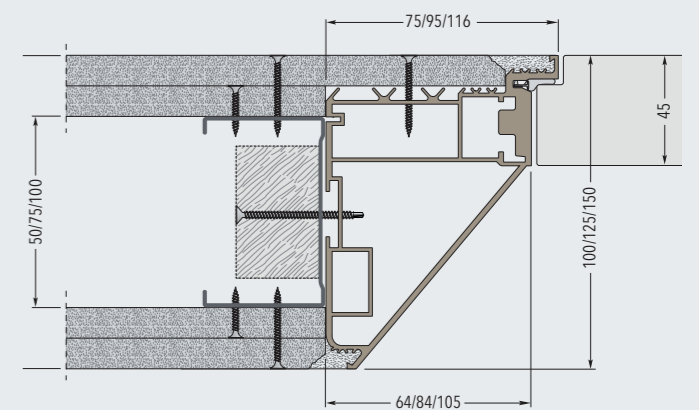
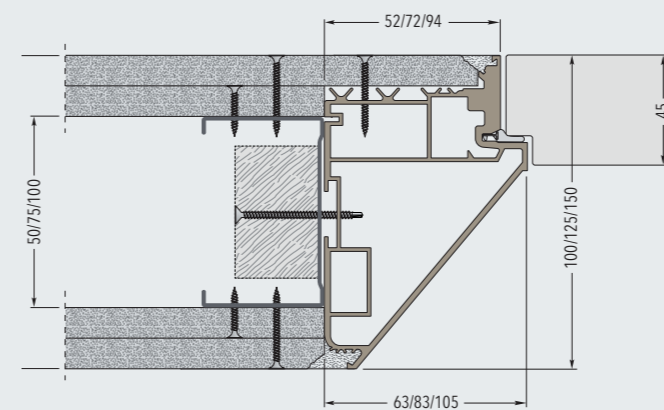
PULL DOOR



Frame on stud wall with 1 plasterboard layer - Finished wall thickness 100/125mm



Frame on stud wall with 2 plasterboard layers - Finished wall thickness 100/125/150mm

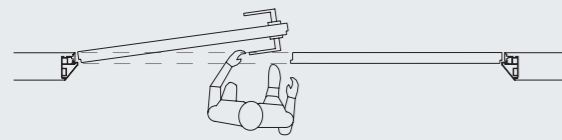


FLUSH HINGED MODELS WITH SPLAYED PROFILES

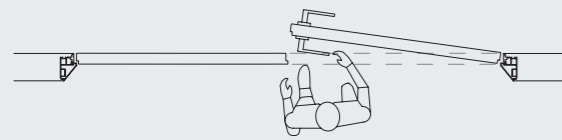
OPENINGS - VERSIONS - APPLICATIONS

ECLISSE 40 DOUBLE

PUSH DOOR



left push door - fixed right door



right push door - fixed left door

PULL DOOR

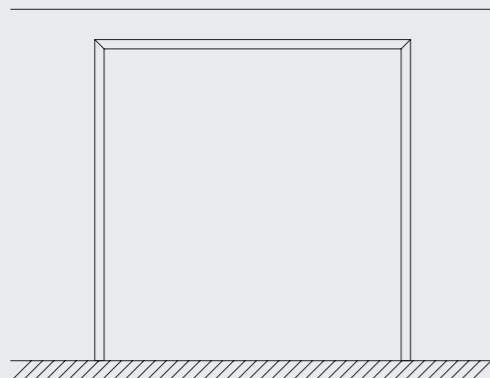


left pull door - fixed right door

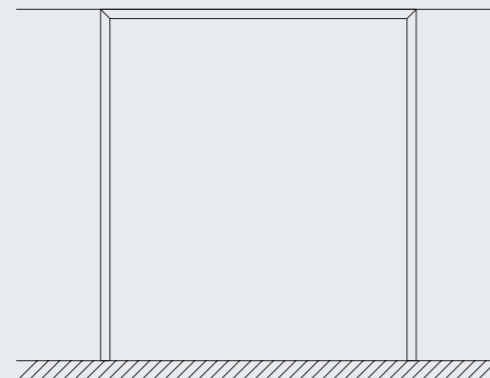


right pull door - fixed left door

FRAME WITH HEADER ONLY



frame for double hinged door with header



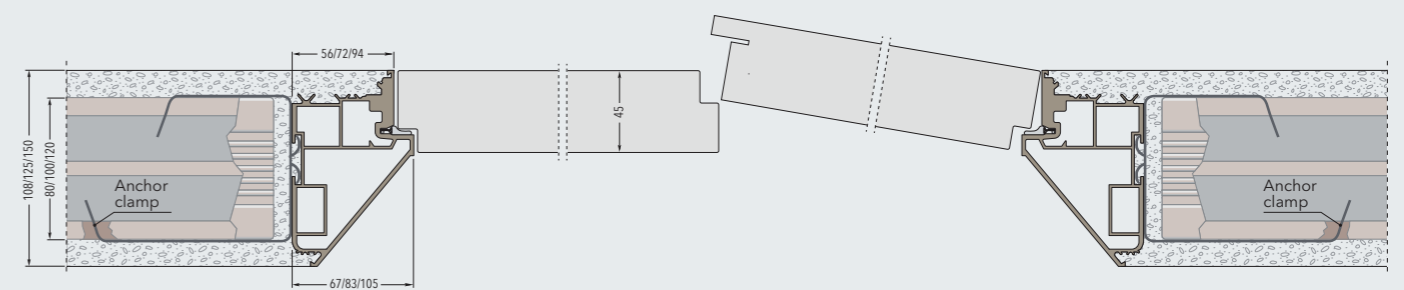
frame for double hinged door with header flush to ceiling

NOTES:

- Available finishes: primer-coated, Champagne, Bronze, Tobacco and White RAL 9010
- Supplied as standard with 3 hinges. Max. door panel weight with 3 hinges: 50 kg
Available upon request with 4 hinges. Max. door panel weight with 4 hinges: 65 kg
- The frame fits both stud and solid wall
For solid wall 6 clamps are cemented in the special spaces created in the wall.
For stud wall the frame is fixed with screws to the wood or metal structure through the existing holes.

FIXED DOOR

Frame on solid wall - Finished wall thickness 108/125/150mm

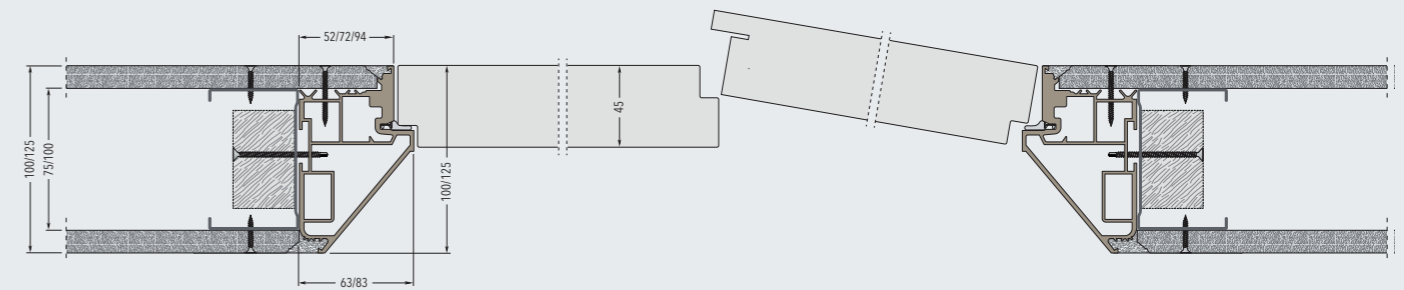


MAIN MOBILE DOOR

right push door - fixed left door

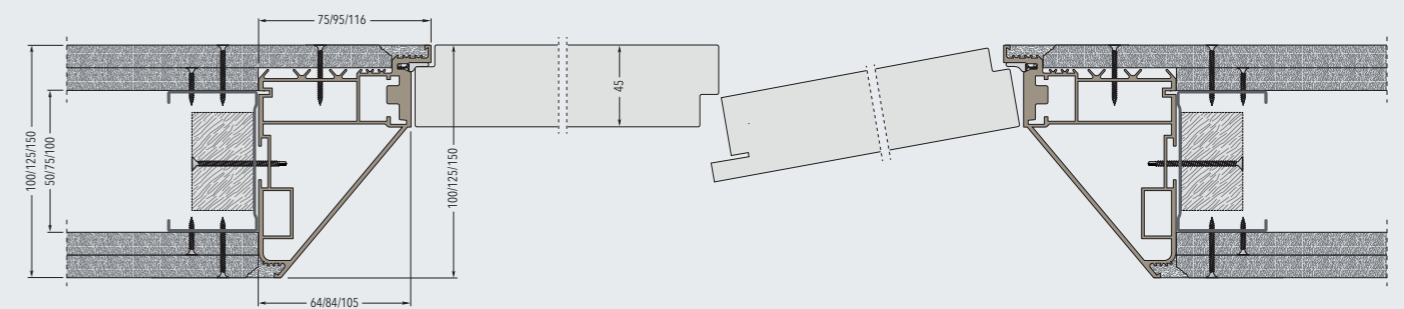
Frame on stud wall with 1 plasterboard layer - Finished wall thickness 100/125mm

right push door - fixed left door



Frame on stud wall with 2 plasterboard layers - Finished wall thickness 100/125/150mm

right pull door - fixed left door





ECLISSE UK Ltd • Richmond House - Occupation Lane - Gonerby Moor - Grantham - Lincs NG32 2BP
Tel 0333 577 0828 • info@eclisse.co.uk • eclisse.co.uk



ECLISSE UK Ltd is an Employee Owned company with each employee being a full partner in the company.
That's why we strive every day to work to the highest possible standards and make every effort to meet and exceed your expectations.