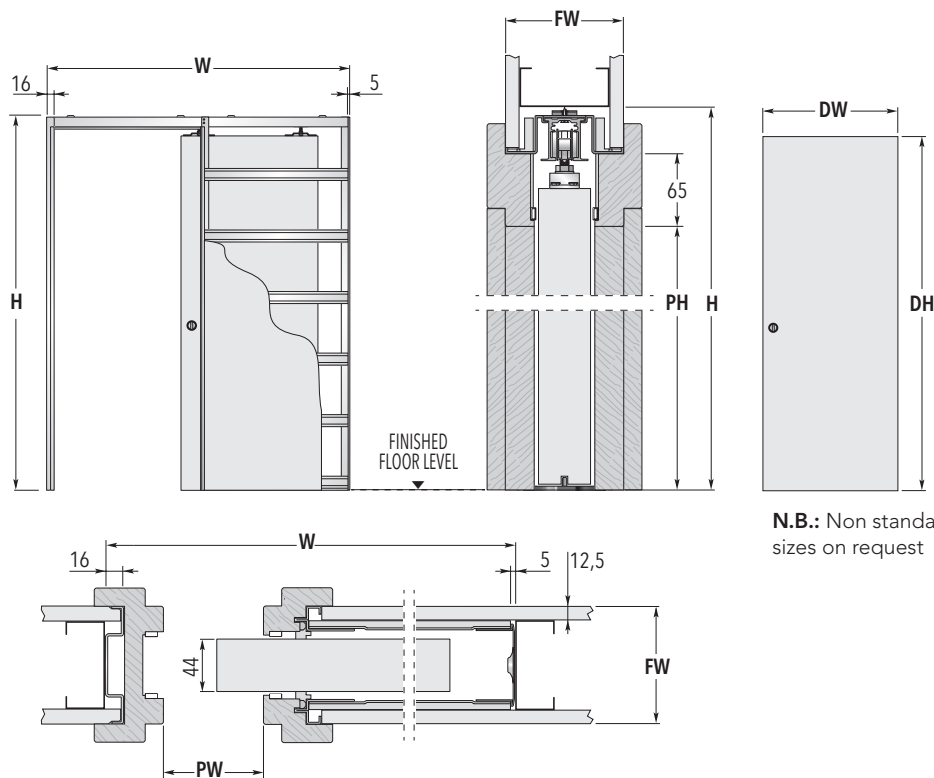
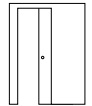


CLASSIC SINGLE FIRE RATED

SINGLE FD30 POCKET DOORS SYSTEM



N.B.: Non standard sizes on request

| FRAMES FOR SINGLE DOORS | | | DOOR PANEL UK | |
|------------------------------|----------------------------|---------------------|---------------------------------------|------|
| MAX. PASSAGE SIZE PW x PH | OVERALL DIMENSION W x H | FINISHED WALL FW | DW | DH |
| 578 X 2010 | 1288 x 2115 | 100 | 626 | 2040 |
| 678 X 2010 | 1488 x 2115 | 100 | 726 | 2040 |
| 778 X 2010 | 1688 x 2115 | 100 | 826 | 2040 |
| 878 X 2010 | 1888 x 2115 | 100 | 926 | 2040 |
| 978 X 2010 | 2088 x 2115 | 100 | 1026 | 2040 |
| 563 X 1951 | 1273 x 2056 | 100 | 2ft. 0in. x 6ft. 6in. (610 x 1981 mm) | |
| 639 X 1951 | 1449 x 2056 | 100 | 2ft. 3in. x 6ft. 6in. (686 x 1981 mm) | |
| 715 X 1951 | 1625 x 2056 | 100 | 2ft. 6in. x 6ft. 6in. (762 x 1981 mm) | |
| 791 X 1951 | 1701 x 2056 | 100 | 2ft. 9in. x 6ft. 6in. (838 x 1981 mm) | |
| 878 X 1951 | 1888 x 2056 | 100 | 3ft. 0in. x 6ft. 6in. (914 x 1981 mm) | |

Dimensions are given in mm



NOTES

- ▶ Special jambs incorporating architraves 100 mm finished wall thickness.
- ▶ Use 15 x 4 mm intumescent strips and 12,5 mm fireboard (not supplied).
- ▶ For use with 44 mm FD30 rated fire doors (not included).
- ▶ Non standard sizes please contact us. Max door weight 100 kg.
- ▶ Self-centering floor guide with anti-warp profile.



ACCESSORIES

- ▶ **Self Closing Mechanism**
Open the door and it closes by itself
- ▶ **ECLISSE BIAS®**
Soft Close anti-slam device with 40 kg soft closing



INTERNATIONAL FIRE
CONSULTANTS LTD

The system was tested to BS 476:Part 22:1987 fire resistance standard. The Field of Application Report was issued by International Fire Consultants Jan 2018.